

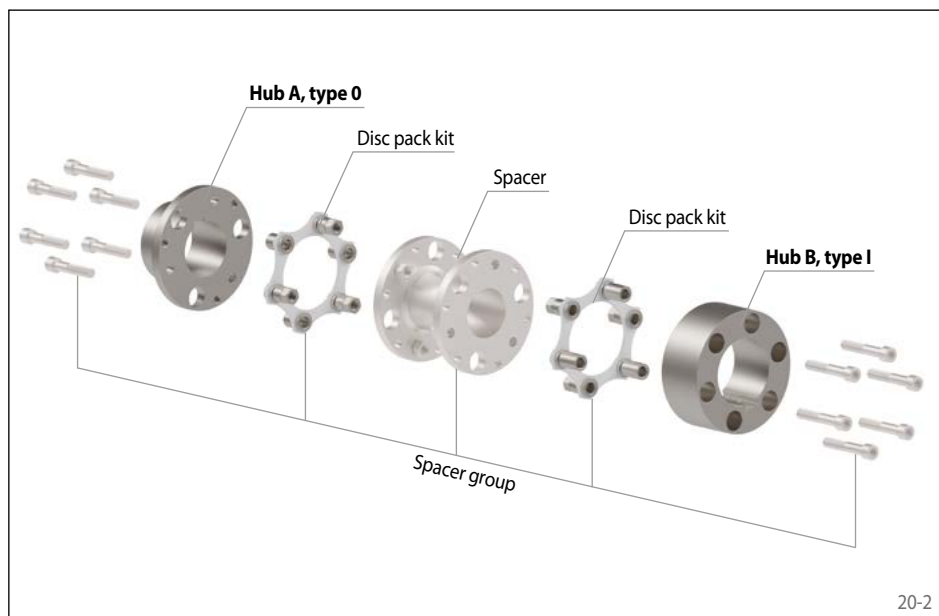
# Disc Couplings RDL ... DSZ

torsionally rigid  
double disc packs with spacer



## Features

- Nominal torques up to 18 700 Nm
- High torque capacity
- Backlash free
- Compensation of axial, radial and angular misalignments
- Double disc pack allows smooth torque transmission
- High torsional rigidity with low axial rigidity
- Temperature range -20 °C to +280 °C
- Maintenance free and long life with proper alignment
- Complies with ATEX 2014/34/EU
- Typical application: Pumps, fans, packaging machines, paper machines, printing machines, mixers, dynamometers

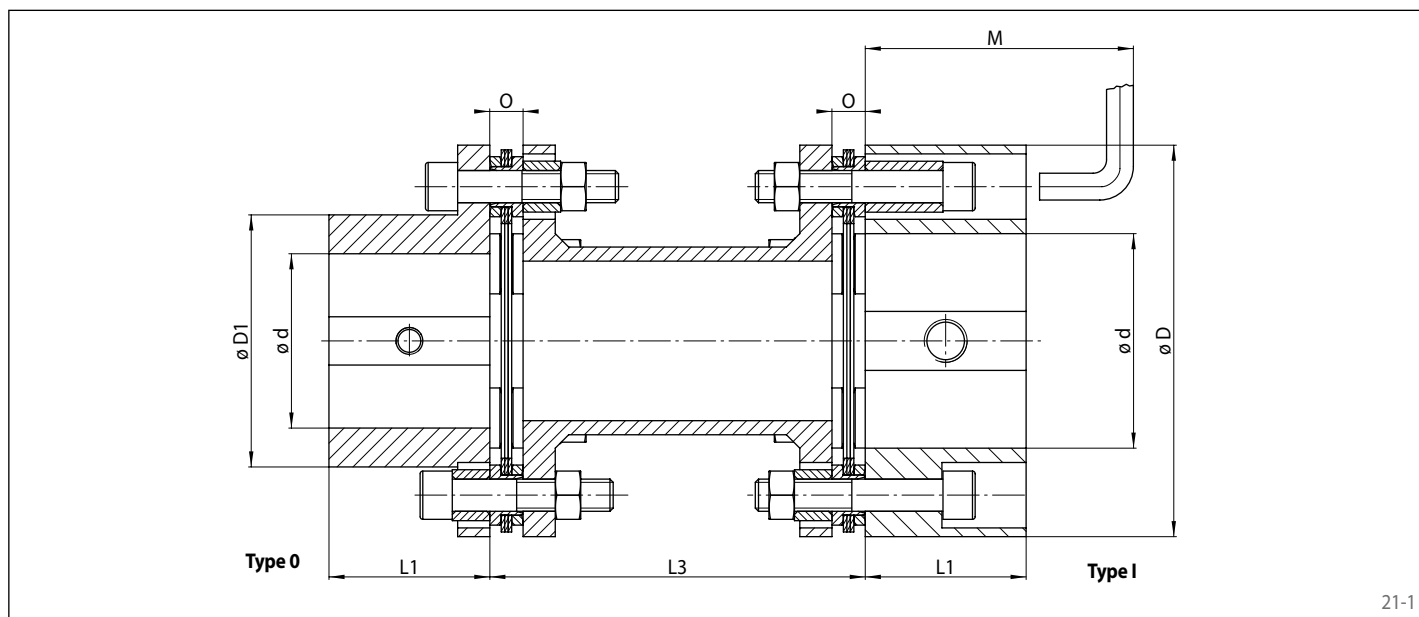


## Order example

	Code
Coupling design	RDL
Coupling size	0024
Type	DSZ
Material of the hub: • Steel	STA
Hub A, type: • 0, standard • I, increased max. bore	0 1
Hub A, design: • finish bored with keyway • roughbored	FB VA
Bore diameter hub A	020
Hub B, type: • 0, standard • I, increased max. bore	0 1
Hub B, design: • finish bored with keyway • roughbored	FB VA
Bore diameter hub B	025
DBSE L3	0100

RDL 0024 DSZ-STA-0FB020-1FB025-0100

torsionally rigid  
double disc packs with spacer



21-1

Coupling size	Nominal torque $T_{KN}$ Nm	Nominal power at $100 \text{ min}^{-1}$ $P_{K100}$ kW	Max. speed $n_{max}$ $\text{min}^{-1}$	Torsional stiffness $C_T$ MNm/rad	Moment of inertia $J_K$ with DBSE L3		Permissible misalignments		
					with shortest standard kgm <sup>2</sup>	per additional meter to the standard kgm <sup>2</sup>	Axial mm	Radial mm	Angular °
0024	96	1,0	7500	0,021	0,0006	0,0004	±2	L3 x 0,013	1,5
0038	232	2,4	7000	0,047	0,0021	0,0011			
0048	620	6,5	6000	0,100	0,0062	0,0017			
0065	1200	12,6	5200	0,222	0,0180	0,0047			
0075	1910	20,0	4800	0,381	0,0350	0,0088			
0100	3460	36,3	4400	0,773	0,0850	0,0210			
0110	5600	58,5	4200	0,962	0,1678	0,0560			
0125	7100	74,2	4000	1,529	0,3098	0,0560			
0140	10400	108,7	3800	1,892	0,5328	0,0670			
0150	14500	152,2	3700	2,454	0,8610	0,1670			
0160	18700	196,0	3600	3,783	1,3580	0,1670	±4		

Torsional stiffness and moment of inertia refer to a combination of hub type 0 and hub type I with max. possible bore diameter respectively and shortest standard DBSE L3.

Coupling size	Pilot bore $d^*$ mm	Min. bore $d^*$ mm		Max. bore $d^*$ mm		D mm	D1 mm	L1 mm	DBSE L3		M** mm	Gap O mm	Weight with DBSE L3	
		Hub type 0 mm	Hub type I mm	Hub type 0 mm	Hub type I mm				shortest possible mm	Standard mm			with shortest standard kg	per additional meter to the standard kg
0024	8	10	23	22	25	63	35	30	54	100 140 180	75	6,5	1,3	2,3
0038	10	12	31	30	38	82	45	40	54	100 140 180	85	6,5	2,3	3,2
0048	15	17	41	40	50	102	57	45	66		95	8,0	4,7	3,2
0065	15	17	53	52	70	128	77	55	78	180 250	110	9,5	8,0	7,0
0075	20	22	66	65	80	146	94	60	88	140 180 250	120	12,0	11,4	8,4
0100	25	27	81	80	100	176	115	70	102		140	140	13,0	19,5
0110	30	32	91	90	115	197	132	90	114	180 250	175	14,4	29,3	21,7
0125	40	42	106	105	130	225	147	95	132	180 250	185	16,2	42,1	21,7
0140	45	47	116	115	140	250	162	105	144		195	19,5	61,0	27,1
0150	50	52	121	120	155	275	178	115	168	180 250	215	21,5	81,7	42,8
0160	60	62	136	135	165	300	190	130	170	235	23,5	106,9	42,8	

For finish bores, please specify bore diameter hub A and hub B. Tolerance of finish bores H7. Keyways in accordance with DIN 6885, sheet 1. Keyway tolerance JS9, different bore and keyway tolerances on request. • The weight refers to the shortest standard DBSE L3.

Upon request: Varying DBSEs L3; Designs with taper bushes; Couplings larger than frame size 0160

In deviation from figure 21-1, a combination of the hubs of type 0 / 0 and type I / I is possible.

For vertical installation, please contact RINGSPANN.

\* Bores also available in inch size, see page 65. • \*\* Distance M is required to tighten and loosen the screws for hub type I.