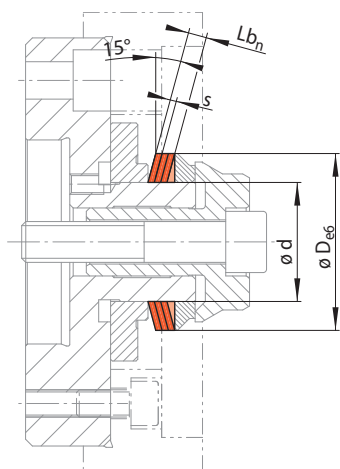


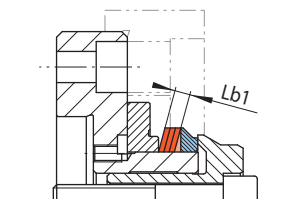
for setup of Bonded Disc Pack Flange Mandrels LIDF to different clamping diameters within a given size with large component tolerances, high true running accuracy and high clearance



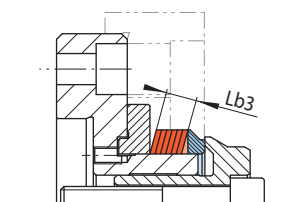
Key

- d = Seating diameter
- D = Achievable clamping diameter
- ΔD = Maximum diameter change of the clamping diameter of the Clamping Element
- s = Clamping disc thickness
- n = Number of Clamping Discs (max. 16)
- $Lb_n = s \cdot n$
= Bonded disc pack width
- $M_n = M_1 \cdot n$
= Max. transmissible torque
- $Fm_n = Fm_1 \cdot n$
= Required actuating force for component clamping with pull-back action
- $Fo_n = Fo_1 \cdot n$
= Required actuating force for component clamping without pull-back action

Installation situations



Bonded disc pack widths Lb1



Bonded disc pack width Lb3

30-1

30-2

Size LID ...	Clamping Discs LID							Bonded Disc Packs LID										
	d	D*	ΔD	s	M_1	Fm_1	Fo_1	Art.-No.	Bonded disc pack width Lb1					Bonded disc pack width Lb3				
									Lb1	M_n	Fm_n	Fo_n	Art.-No.	Lb3	M_n	Fm_n	Fo_n	Art.-No.
mm	mm	mm	mm	Nm	N	N	1003-	mm	Nm	N	N	3023-	mm	Nm	N	N	3023-	
15	32 - 37	0,7	0,75	2,5	1000	830	015002	6	20	8000	6640	015006	12	40	16000	13280	015007	
	37 - 42	0,7	0,75	4,5	1400	1150	020002	6	36	11200	9200	020004	12	72	22400	18400	020005	
25	42 - 47	0,7	0,75	7,5	1850	1500	025002	6	60	14800	12000	025003	12	120	29600	24000	025004	
	47 - 52	0,7	0,75	10	2150	1750	030002	6	80	17200	14000	030006	12	160	34400	28000	030007	
35	52 - 57	0,7	0,75	14	2500	2000	035002	6	112	20000	16000	035006	12	224	40000	32000	035007	
	57 - 62	0,7	0,75	19	2900	2350	040002	6	152	23200	18800	040008	12	304	26400	37600	040009	
45	62 - 67	0,7	0,75	25	3350	2700	045002	6	200	26800	21600	045004	12	400	53600	43200	045005	
	67 - 70	0,7	0,75	32	3800	3050	050004	6	256	30400	24400	050012	12	512	60800	48800	050013	
50	70 - 75	0,8	1,0	42	5250	4300	050005	8	336	42000	34400	050014	16	672	84000	68800	050015	
	75 - 80	0,8	1,0	41	4900	4000	050006	8	328	39200	32000	050016	16	656	78400	64000	050017	
	80 - 85	0,8	1,0	62	6350	5200	060003	8	496	50800	41600	060005	16	992	101600	83200	060006	
60	85 - 90	0,8	1,0	60	6000	4850	060004	8	480	48000	38800	060007	16	960	96000	77600	060008	
	90 - 95	0,8	1,0	85	7500	6150	070003	8	680	60000	49200	070005	16	1360	120000	98400	070006	
70	95 - 100	0,8	1,0	85	7200	5800	070004	8	680	57600	46400	070007	16	1360	115200	92800	070008	
	100 - 105	0,8	1,0	110	8600	7100	080003	8	880	68800	56800	080012	16	1760	137600	113600	080013	
80	105 - 110	0,8	1,0	110	8350	6800	080004	8	880	66800	54400	080014	16	1760	133600	108800	080015	
	110 - 115	0,8	1,0	140	9850	8150	090003	8	1120	78800	65200	090010	16	2240	157600	130400	090011	
90	115 - 120	0,8	1,0	140	9500	7700	090004	8	1120	76000	61600	090012	16	2240	152000	123200	090013	
	120 - 125	0,8	1,0	160	10000	8250	100004	8	1280	80000	66000	100007	16	2560	160000	132000	100008	
100	125 - 130	0,8	1,0	175	10600	8600	100005	8	1400	84800	68800	100009	16	2800	169600	137600	100010	
	130 - 140	1,0	1,25	190	11500	9400	100006	10	1520	92000	75200	100011	20	3040	184000	150400	100012	
115	140 - 150	1,0	1,25	255	13900	11500	115002	10	2040	111200	92000	115003	20	4080	222400	184000	115004	
125	150 - 160	1,0	1,25	310	15600	12900	125002	10	2480	124800	103200	125004	20	4960	249600	206400	125005	
135	160 - 170	1,0	1,25	365	16800	13900	135002	10	2920	134400	111200	135003	20	5840	268800	222400	135004	
145	170 - 180	1,0	1,25	430	18500	15300	145002	10	3440	148000	122400	145005	20	6880	296000	244800	145006	
155	180 - 190	1,0	1,25	490	19700	16200	155003	10	3920	157600	129600	155005	20	7840	315200	259200	155006	
	190 - 200	1,0	1,25	475	18000	14600	155004	10	3800	144000	116900	155007	20	7600	288000	233600	155008	

* Clamping diameter from > up to ≤ adjustable to two places after the decimal point

The Bonded Disc Packs LID have a larger taper angle than the Bonded Disc Packs LBD. This makes it possible to clamp larger component tolerances up to IT14 securely. The achievable true running accuracy is ≤ 0,015 mm. Bonded Disc Packs LID can limited be used in Bonded Disc Pack Flange Mandrels. We request that you contact us.

Example for ordering

Please indicate the size of the Clamping Element, the clamping diameter of your component, including component tolerance, and the desired bonded disc pack width in your order:

Size: LID 15
 Clamping diameter: 35,47 mm
 Component tolerance: H7
 Bonded disc pack width: 6 mm
 ➔ LID 15-35,47H7-6