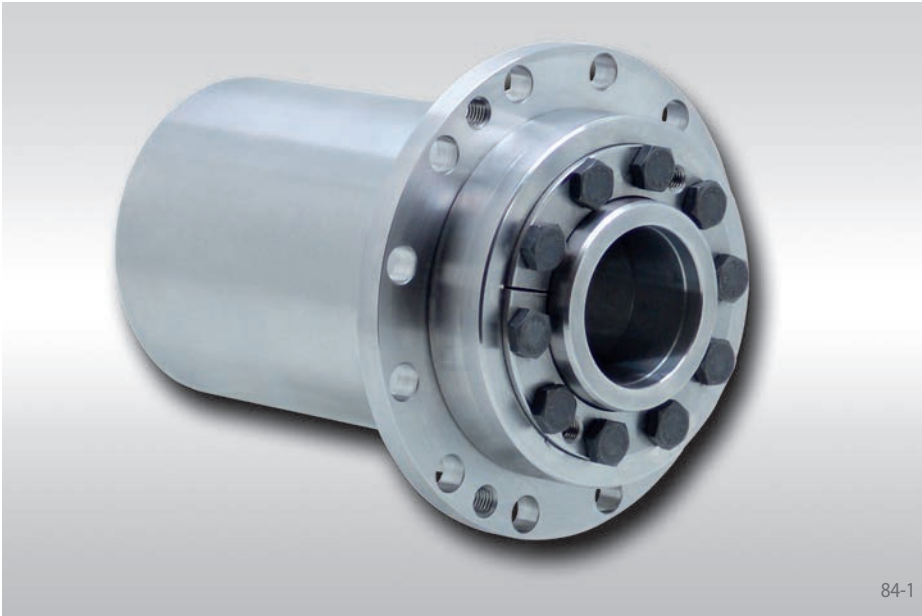


# Clamping Systems RTM 608.1 and RTM 608.2

for complete torque motors

for mounting and centring complete torque motors on shafts or hollow shafts



84-1

## Features

- Provides a mechanical connection, support and centring between rotor and machine shaft
- Backlash free, torsion-proof transmission of torque generated by the torque motor
- High true running accuracy
- For inexpensive clamping on solid shafts
- Easily removable Cone Clamping Element, even after long periods of operation

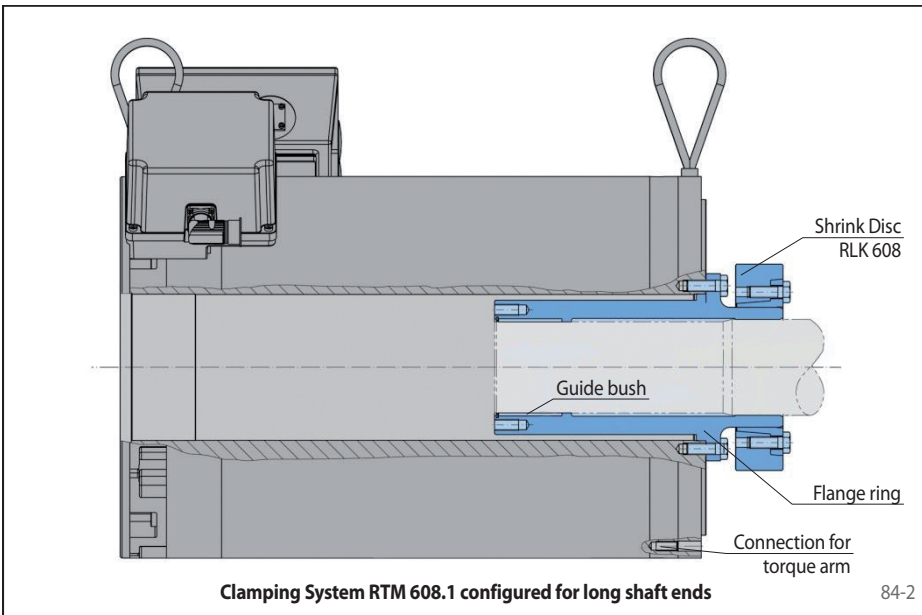
## Configuration

The Clamping System RTM 608 consists of a flange ring and a Shrink Disc RLK 608. The flange ring connects the torque motor to the machine shaft.

In contrast to the Clamping System RTM 607, the torque motor is centred on the Clamping System in a "flying" configuration. The Clamping System RTM 608 can be compared to a flange shaft, but offers the added advantage that a cylindrical shaft end remains following removal of the Clamping System RTM 608, facilitating trouble-free replacement of machine gaskets and bearings.

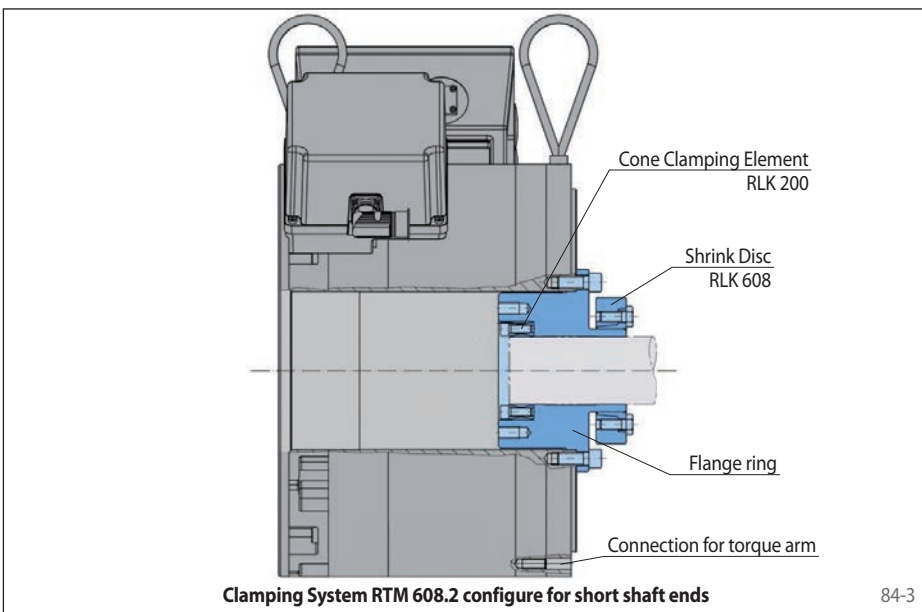
The Clamping System RTM 608 performs two functions in the area in contact with the machine shaft. Torque transmission is effected with the aid of a two-part Shrink Disc RLK 608. The second support point is configured with a glide bush, which helps prevent fretting corrosion resulting from microslippage (Fig. 84-2). In the case of short shaft ends, a Cone Clamping Element RLK 200 is used instead of the glide bush as a second support point in order to ensure the required true run accuracy of the torque motor in relation to the machine shaft (Fig. 84-3).

If you have an application for which the Clamping System RTM 608 is suited, please submit your enquiry, including the designation of the torque motor to be used as well as the shaft dimensions.



Clamping System RTM 608.1 configured for long shaft ends

84-2



Clamping System RTM 608.2 configure for short shaft ends

84-3